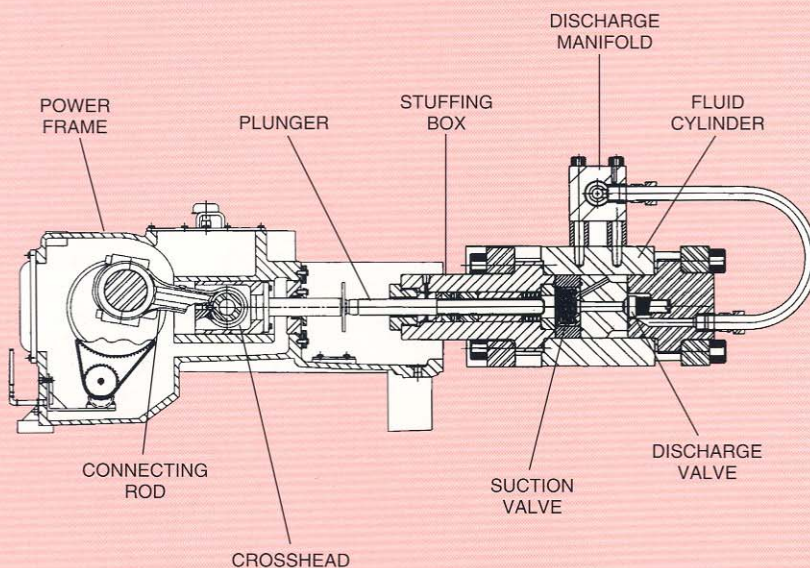
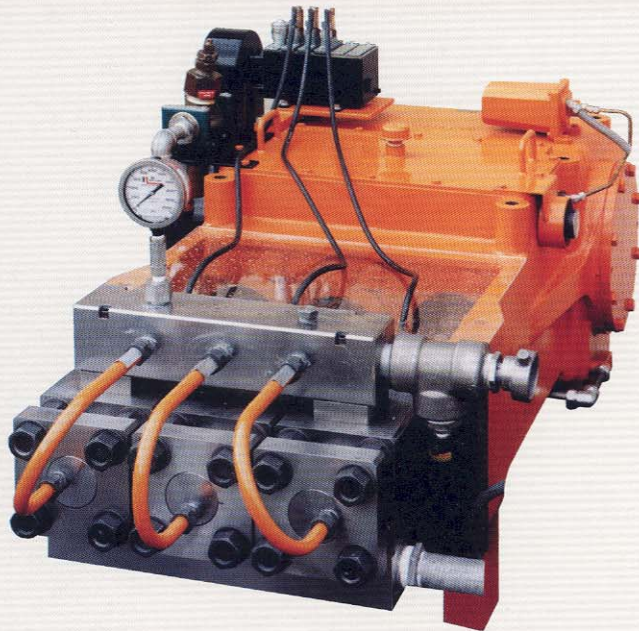


The NLB 20400 power pump is an advanced design triplex pump with exceptional flexibility and versatility to efficiently meet the requirements of a wide range of pumping services. The unit features a simple, rugged design to meet the heavy-duty requirements of continuous operation and to minimize maintenance.

# Model No. 20400 20,000 psi Triplex Plunger Pump



**Specifically designed for high-pressure pumping applications.**

**Fluid end designed to resist high pressures and hydraulic shock.**

- Fluid cylinder is a stainless steel block with drilled passages to minimize turbulence. Design features minimum volumetric clearance and stress, with maximum shock and pressure resistance. No intersective bores to minimize stress concentrations. Individual stuffing boxes and fluid cylinders allow easy access and manageable repair component size.
- Centerless sleeve type stainless steel suction valve.
- Bevel seat, stainless steel discharge valve.
- Stuffing boxes need not be removed for repacking and plunger inspection, and allow for a wide range of plunger diameters.
- Packing cartridges are spring loaded and self adjusting for uniform pressure and tamper resistance.
- Connections for plunger lubrication at atmospheric pressure.
- Colmonoy coated plungers.

**Proven heavy-duty industrial power frame.**

- Horizontal configuration provides easy access and low center of gravity.
- Massive, cast iron housing with force feed lubrication, large oil reservoir, and oil heat exchanger.
- Alloy steel crankshaft mounted in tapered roller bearings. Symmetrical design permits easy conversion to opposite hand drive.
- Marine type connecting rods with split, babbitted rod bearings, and sleeve type bronze wrist bearings. All under compressive loading only.
- Large diameter cylinder crossheads operating in full circular guides fitted with hardened wrist pins.
- Ground crosshead stub shafts with dual lipped seals to keep water and dust out of crankcase.
- High mechanical efficiency.
- Plunger cover for cleanliness and operator protection.
- Split housing allows easy access to crankcase.



**The Leader in High-Pressure  
Water Jet Technology**

**Headquarters**  
29830 Beck Road  
Wixom, MI 48393-2824  
(248) 624-5555  
FAX: (248) 624-0908  
<http://www.nlbcorp.com>

**Regional Offices**  
159 Harmony Road, Mickleton, NJ 08056  
(856) 423-2211 FAX: (856) 423-0997  
201 S. 16th, La Porte, TX 77571  
(281) 471-7761 FAX: (281) 471-8738  
14302 Highway 44 N., Gonzales, LA 70737  
(225) 622-1666, Fax: (225) 622-7366

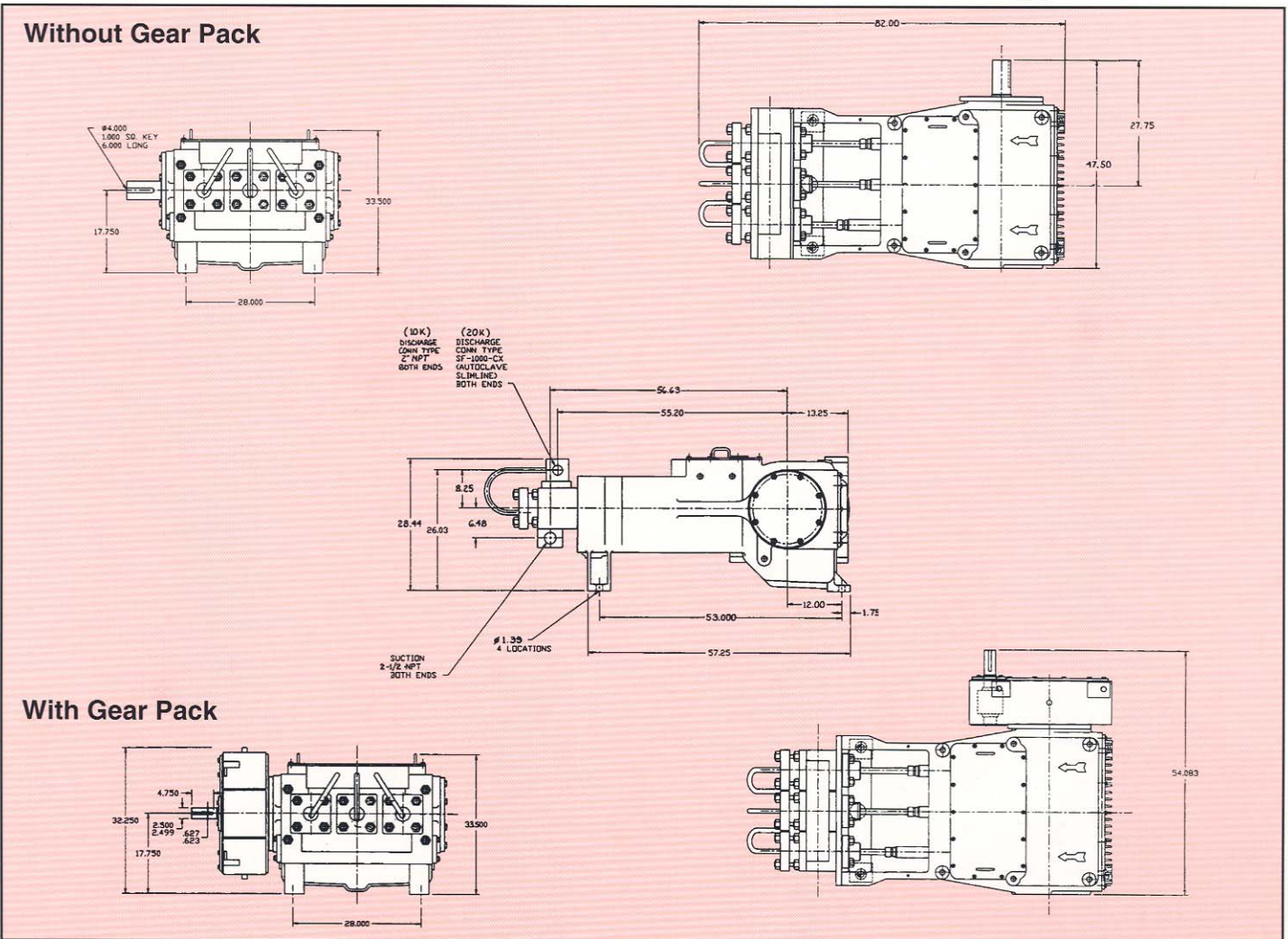
## Pump Displacement – GPM and LPM

MODEL NO.	PLUNGER DIA.		PUMP RPM												MAX. PRESSURE	
			200		250		300		350		375		400			
	IN	MM	GPM	LPM	GPM	LPM	GPM	LPM	GPM	LPM	GPM	LPM	GPM	LPM	PSI	BAR
20400	1-1/4	31.75	17	64.3	22	83.3	26	98.4	30	113.6	33	125.0	–	–	20,000	1,380
15400	1-3/8	34.93	21	79.5	26	98.4	32	121.1	37	140.0	39	147.6	42	159.0	15,000	1,035
13400	1-1/2	38.10	26	98.4	32.5	123.0	39	147.6	45.5	172.2	48.8	184.7	52	196.8	13,000	897
10400	1-3/4	44.45	34	128.7	43	162.8	51	193.0	60	227.1	64	242.2	68	257.4	10,000	690
8400	1-7/8	47.63	39	147.6	49	185.5	59	223.3	69	261.2	74	280.1	79	299.0	8,700	600
8400	1-15/16	49.21	42	159.0	52.5	198.7	63	238.5	73.5	278.2	78.8	298.3	84	317.9	8,300	573
7400	2-1/16	52.39	48	181.7	60	227.1	71	268.7	83	314.2	89	336.9	95	359.6	7,000	483

Actual pump capacity is approximately 92% of the displacement.

Horsepower can be computed by using the formula:  $HHP = \frac{GPM \times PSI}{1715}$

Metric equivalent is:  $kw = \frac{LPM \times BAR}{600}$



**The Leader in High-Pressure Water Jet Technology**

**Headquarters**  
 29830 Beck Road  
 Wixom, MI 48393-2824  
 (248) 624-5555  
 FAX: (248) 624-0908  
<http://www.nlbcorp.com>

**Regional Offices**  
 159 Harmony Road, Mickleton, NJ 08056  
 (856) 423-2211 FAX: (856) 423-0997  
 201 S. 16th, La Porte, TX 77571  
 (281) 471-7761 FAX: (281) 471-8738  
 14302 Highway 44 N., Gonzales, LA 70737  
 (225) 622-1666, Fax: (225) 622-7366